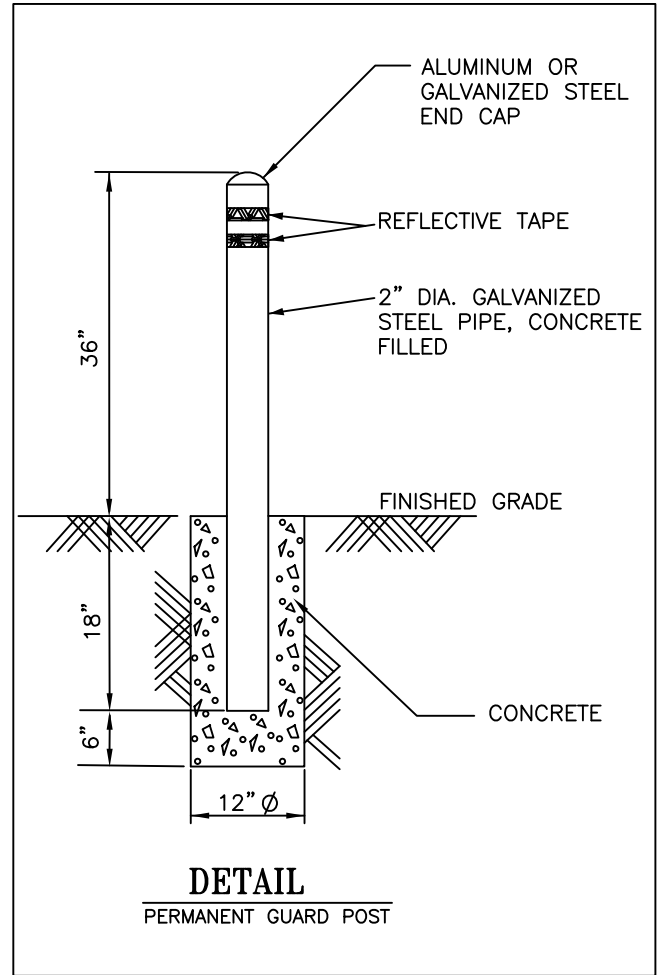
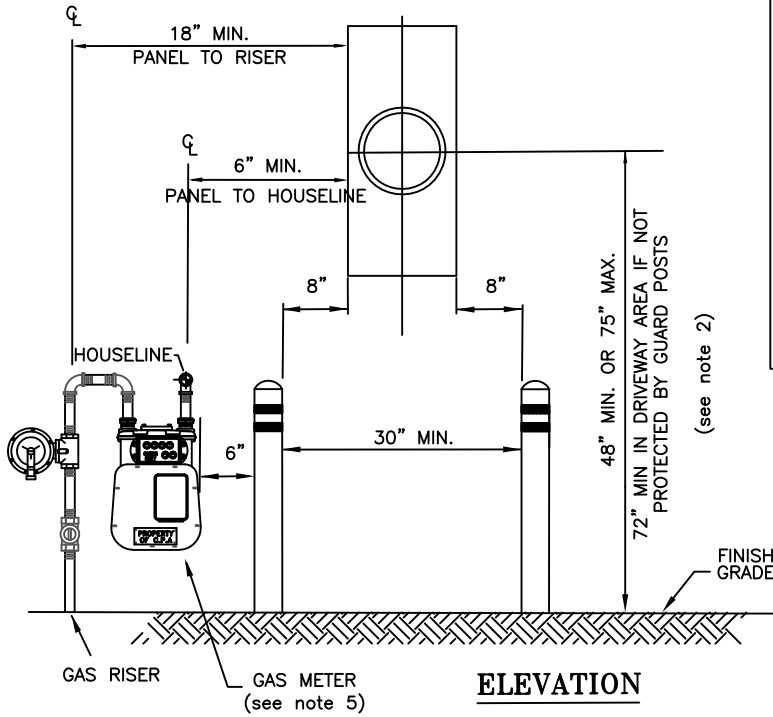


PLAN VIEW



DETAIL
PERMANENT GUARD POST



ELEVATION

NOTES:

1. METERS INSTALLED IN LOCATIONS SUSCEPTIBLE TO VEHICULAR DAMAGE SHALL BE PROTECTED BY GUARD POSTS OR INSTALLED AT A SUITABLE HEIGHT TO PREVENT CONTACT.
2. PER CEC ARTICLE 404.8(A), THE HIGHEST POSITION OF THE BREAKER HANDLE MUST NOT BE MORE THAN 79" ABOVE GRADE/FLOOR.
3. THIS STANDARD IS FOR RESIDENTIAL INSTALLATIONS ONLY, NOT FOR MULTIFAMILY DWELLINGS.
4. PERMANENT FIXED POSTS ARE REQUIRED.
5. REFER TO CPAU STD. DWG. WGW-06 FOR GUARD POST REQUIREMENTS AROUND GAS METERS.

APPROVED _____	ENGINEERING STANDARD				
	METER INSTALLATION IN RESIDENTIAL DRIVEWAY	1	3-16	ADDED NOTE 2	TT
		REV	DATE	DESCRIPTION	BY
		NTS	SR-MT-E-1035	1 OF 1	
CITY OF PALO ALTO CALIFORNIA		SCALE	STANDARD NO.	SHEET NO.	