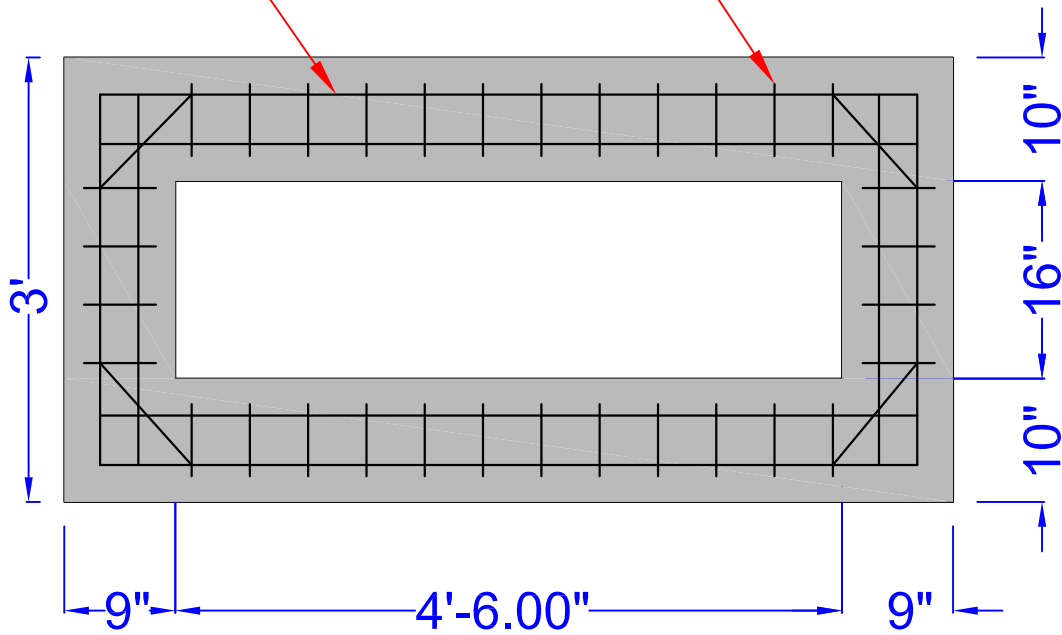
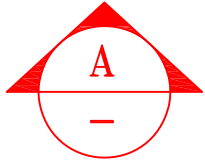


#4 REBAR 3" CL

#4 REBAR 6" CL



PLAN



SECTION

NOTES:

1. PLACE 6" 95% COMPACTED SAND UNDER N52 (30"X60") CHRISTY OR APPROVED EQUAL BOX WITH A POURED 1" BASE.
2. PAD CONSTRUCTION SHALL BE PER STD # DT-SS-C-1005. IF A PRE-CAST PAD AS SIZED ABOVE IS USED, YOU DO NOT NEED THE FOOTING THICKNESS AS SHOWN ON STD DWG# DT-SS-C-1005 SH 1 OF 3.
3. PLACE PAD WINDOW CENTERED WITH THE BOX.

ENGINEERING STANDARDS

APPROVED	7/1999
	M. BEANMAN
	SR. ENGINEER / MANAGER
ENGR	P. V. T. T.
DRWN	D. V. T. T.
CHKD.	X

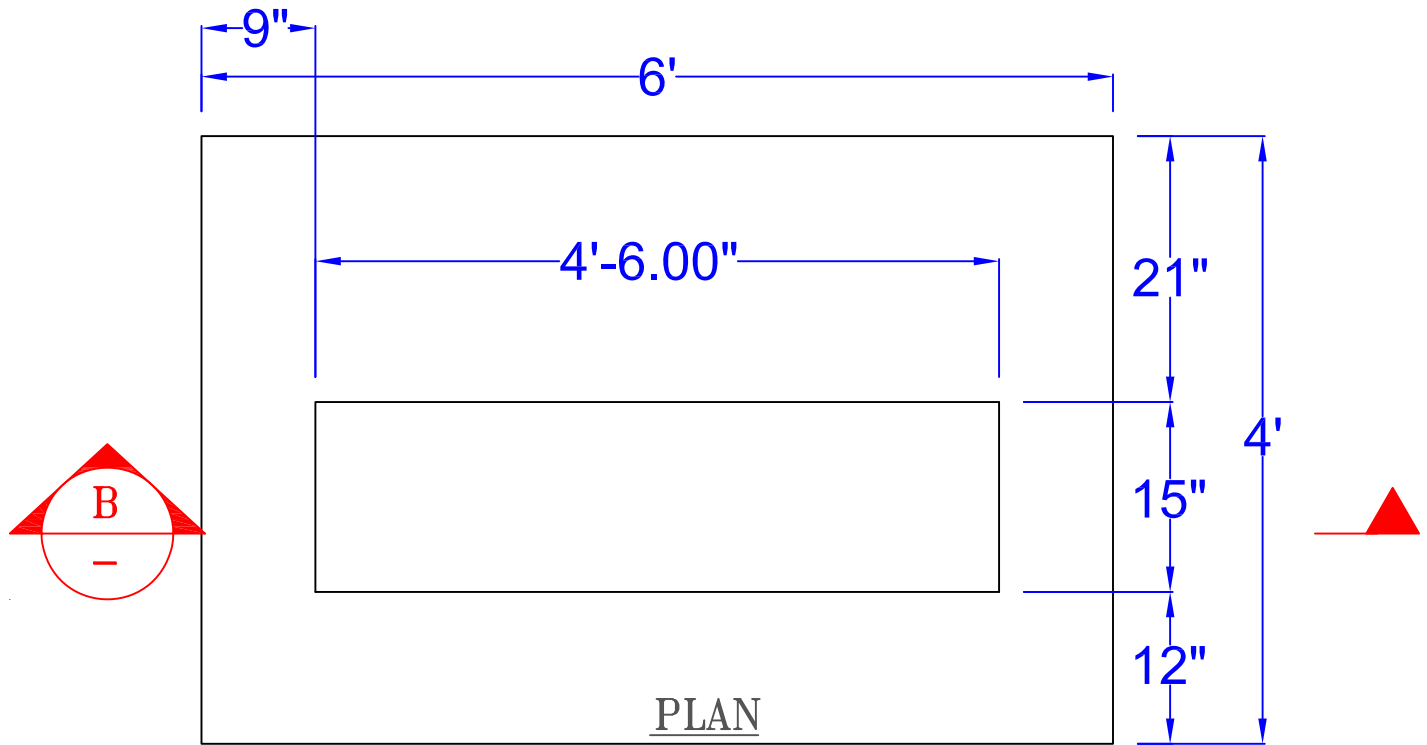
PRE-CAST CONCRETE PAD
FOR LBC CABINET



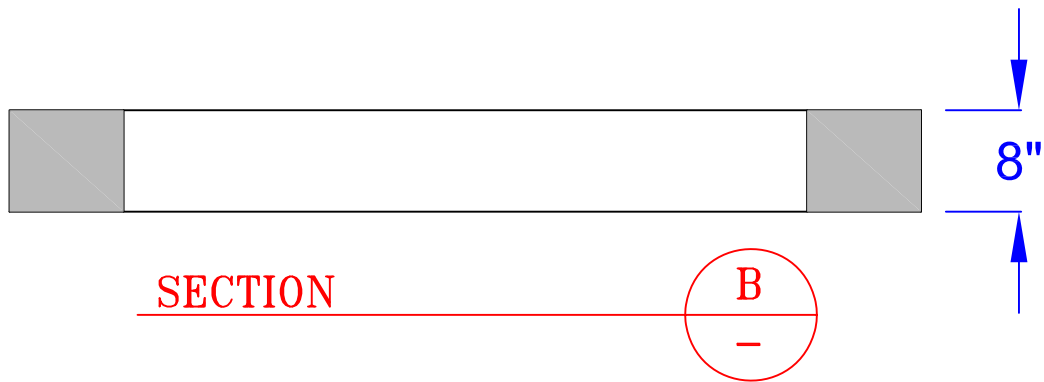
City of Palo Alto
California
UTILITIES, ELECTRIC ENGINEERING

REV.	DATE	APPR.	DESCRIPTION
2	6/15	TT	REVISED NOTE 1
1	1/12	TT	ADDED SHEET 3
MAP #	CKT #	SCALE	W.O.# / DRAWING #
X	X	NTS	DT-SS-C-1028
			SHEET 1 OF 3

Original Signed
and Approved
by Engineering
Manager



PLAN



SECTION

NOTES:

1. THIS PAD CALLS FOR THE INSTALLATION OF A PRECAST VAULT BENEATH THE PAD.
2. VAULT SHALL BE SIZED AND INSTALLED PER THE REQUIREMENTS OF CPAU STANDARD DRAWING # DT-SS-U-1002
3. PAD WINDOW SHOULD BE CENTERED OVER BOX.

ENGINEERING STANDARDS

APPROVED	7/19/04
M. BEAULAND	
SR. ENGINEER/MANAGER	
ENR.	J. BATH
DRWN.	DANIEL T.
CHKD.	X

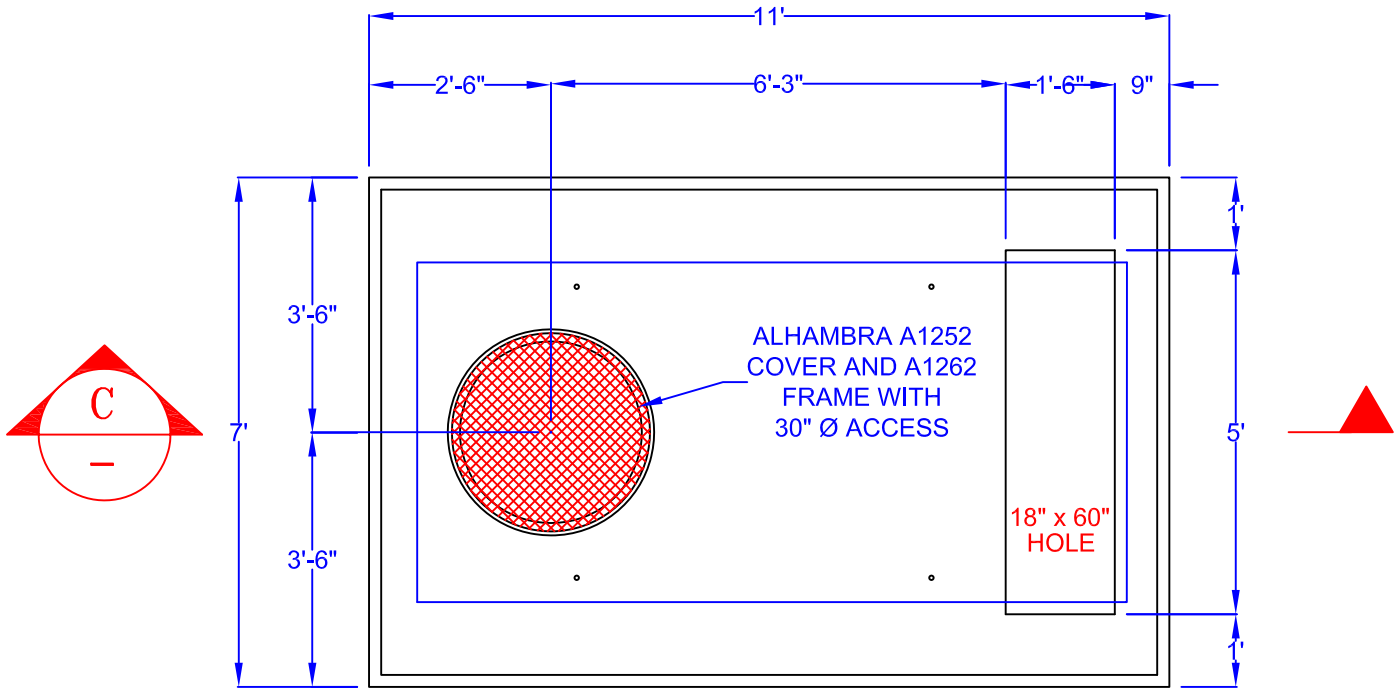
PRE-CAST CONCRETE PAD
FOR LBC CABINET



City of Palo Alto
California
UTILITIES, ELECTRIC ENGINEERING

REV.	DATE	APPR.	DESCRIPTION
MAP #	CKT #	SCALE	W.O.# / DRAWING #
X	X	NTS	DT-SS-C-1028
			SHEET 2 OF 3

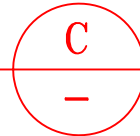
Original Signed and Approved by Engineering Manager



PLAN



SECTION



NOTES:

1. THIS PAD CALLS FOR THE INSTALLATION OF A PRECAST VAULT BENEATH THE PAD.
2. VAULT SHALL BE INSTALLED PER THE REQUIREMENTS OF CPAU STANDARD DRAWING # DT-SS-U-1002
3. PAD WINDOW AND MANHOLE OPENING SHOULD BE CENTERED OVER BOX.

ENGINEERING STANDARDS

APPROVED	7/19/04
M. DEANLAND	
SR. ENGINEER MANAGER	
ENR.	E. VAUGHN
DRWN.	DANIEL T.
CHKD.	X

**PRE-CAST CONCRETE PAD
FOR LBC CABINET**



City of Palo Alto
California
UTILITIES, ELECTRIC ENGINEERING

REV.	DATE	APPR.	DESCRIPTION
1	1/12	TT	ADDED BOX DETAILS
MAP #	CKT #	SCALE	W.O.# / DRAWING #
X	X	NTS	DT-SS-C-1028
			SHEET 3 OF 3