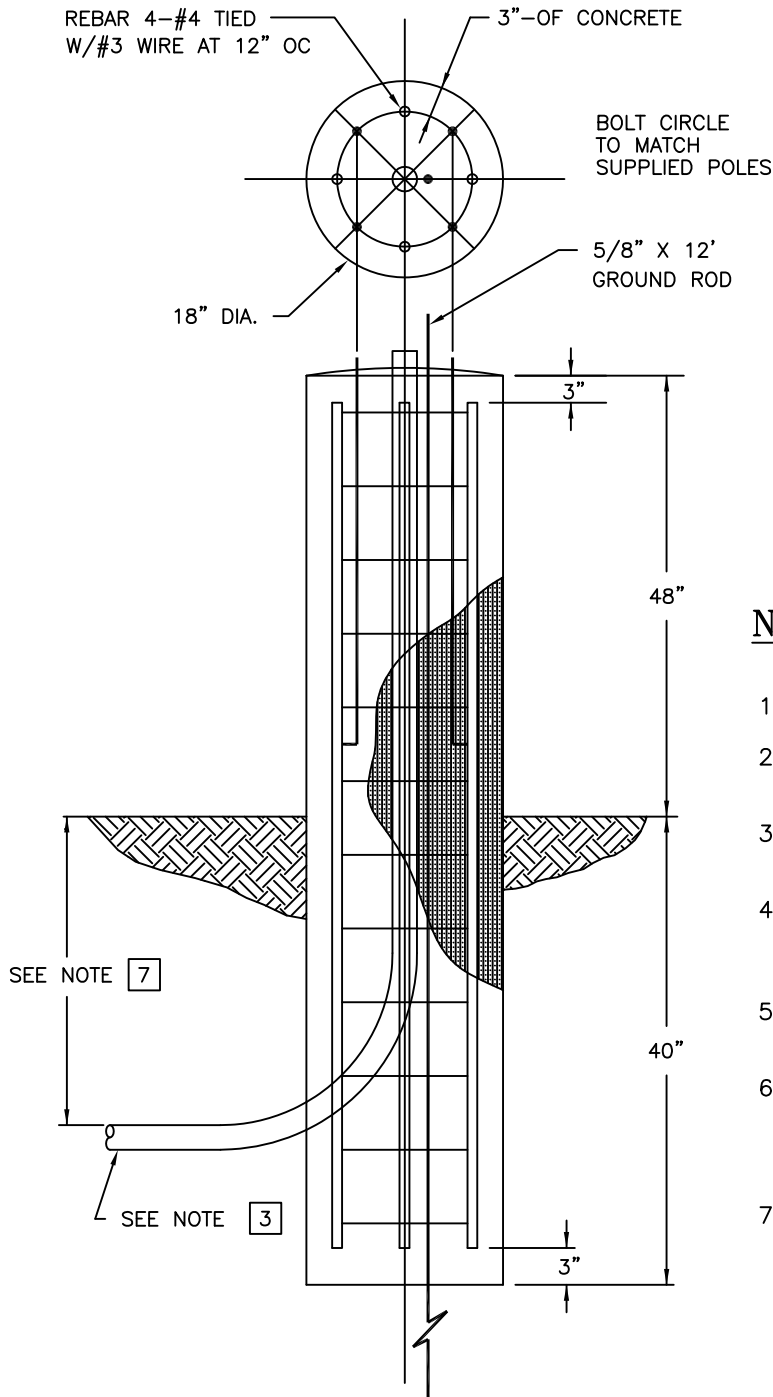


# STREET LIGHT FOUNDATION FOR TRAFFIC EXPOSED AREAS



## NOTES:

1. CONCRETE IN FOUNDATION SHALL BE CLASS "B"
2. BOLT CIRCLE DIA. TO BE USED IS TO MATCH SUPPLIED POLES.
3. UNLESS OTHERWISE NOTED, ALL CONDUITS SHALL BE P.V.C. 2" MINIMUM.
4. ALL FOUNDATIONS REQUIRE 5/8" X 12' GROUND ROD. FOR GROUNDING SYSTEM SEE ELECTRIC UTILITY STANDARD DWG. DT-SS-U-1001 SHEET 2.
5. ALL FOUNDATIONS SHALL BE POURED AGAINST UNDISTURBED SOIL.
6. 1" DIA. X 3' X 4" GALVANIZED STEEL ANCHOR BOLTS WITH TWO HEX NUTS, TWO FLAT WASHERS AND TWO LOCKWASHERS - FOUR EACH REQUIRED PER POLE.
7. AS REQUIRED TO MATCH EXISTING OR NEW STREET LIGHT CONDUIT BEING INSTALLED.

APPROVED <u>3/1994</u>  ENGR. MANAGER	ENGINEERING STANDARD <b>STREET LIGHT PEDESTAL FOUNDATION</b>		
ENGR DRAWN <u>JES/MJ</u> <u>MJ</u> CHECKED PEV	<b>CITY OF PALO ALTO CALIFORNIA</b>	NTS SCALE	<b>SL-SS-C-1024</b> STANDARD NO.
		1 11/08 REV DATE	CHANGED DWG NUMBER FROM DT-SS-U-1024 TO CURRENT DESCRIPTION
			TT APPR 1 of 1 SHEET NO.