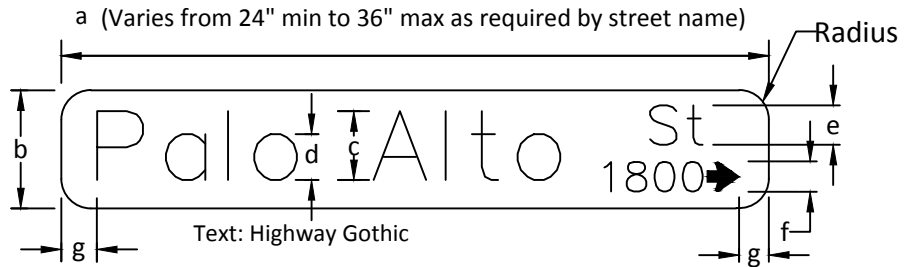
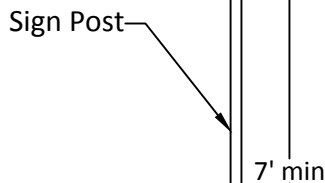
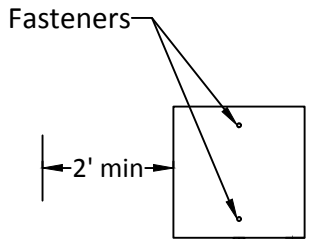


### STREET NAME SIGN

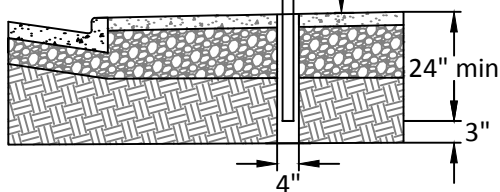


STREET NAME SIGN SIZE

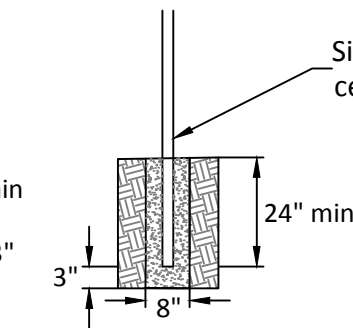
SPEED	a	b	c	d	e	f	g	RADIUS
25 mph	24"	6"	4"	3"	2"	2"	2" min	1.5"
30+ mph	36"	9"	6"	4.5"	4"	3"	4"	1.5"



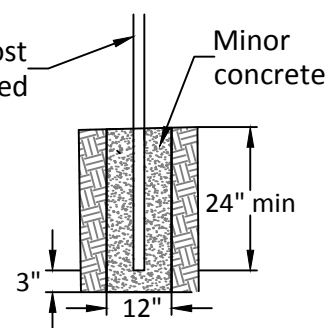
Snap'n Safe breakaway round sign post coupler (or approved equal). NCHRP 350 compliant, 360° shear point.



SIDWALK CONCRETE LOCATION



METAL POLE UNIMPROVED AREAS



WOOD POLE ON FOUNDATION

#### NOTES:

All street name signs shall be white background with black text unless specified otherwise by City of Palo Alto.

All letters, numbers, and borders shall be non-reflective 3M Scotchlac black vinyl, with a white reflective 3M-3930HIP background (unless otherwise specified).

Signs may be fabricated by means of silk screening using graffiti inks by the die cut letters or by using Avery Dennison translucent or transparent overlay sheeting on top of the T6500 reflective sign sheeting.


#### NOTES:

- Both stop sign and street sign post shall be 2" inside diameter steel poles, schedule 40 galvanized steel pipe conforming to ASTM 120 metal poles for street signs shall be threaded at one end and capped. Wood posts shall conform to section 56 of Caltrans specifications.
- Install breakaway sign post coupler in accordance with manufacturer's specifications.
- Design shall conform to these requirements unless directed otherwise or approved by City Engineer.

Rev	By	Date
1	RTN	08/14/17

**Signage and Mounting Details**

**City of Palo Alto Standard**

Approved by: 

PE No. 72158

Date 01/10/18

Dwg No. 704

Scale: NTS