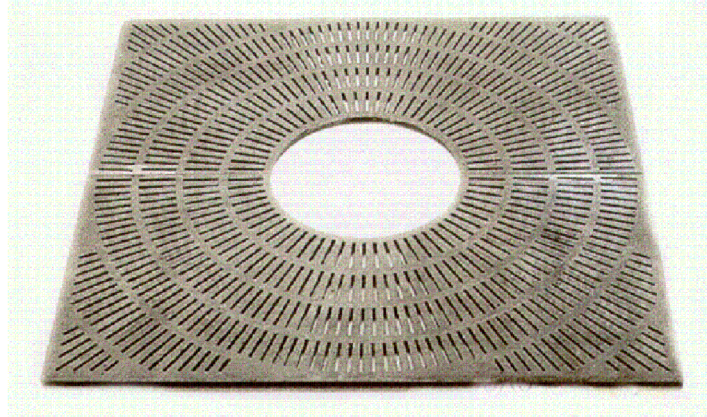


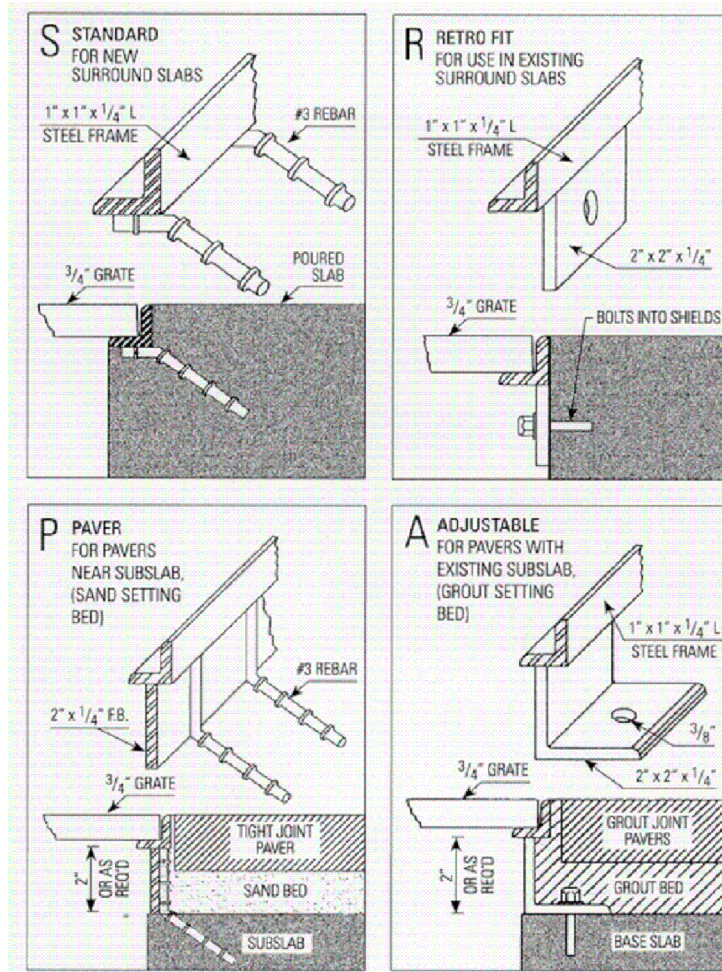
City of Palo Alto Tree Grate Details



Kiva-SQ

Square Models: 36", 42", 60", 72"
 Rectangular Models: 36"x60", 48"x72", 48"x96"


Installation Details:



Rev	By	Date
0	HQN	6/27/06
Scale: NTS		

**Tree Grate &
 Installation Details**

City of Palo Alto Standard

Approved by: 
 PE No. 72158
 Date 01/10/18
 Dwg No. 601A