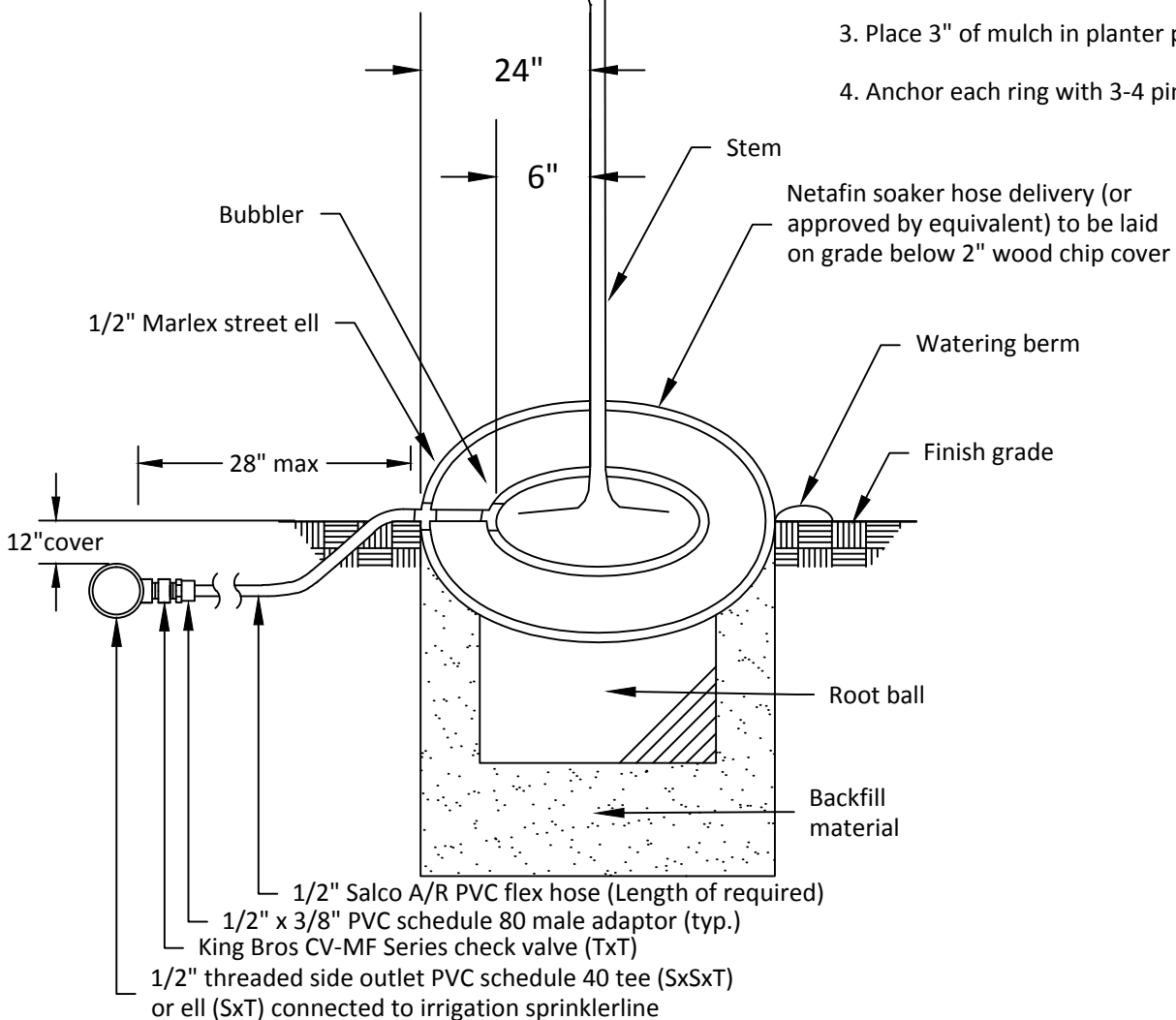


NOTES:

1. Install drip loops above root ball. Install 2 loops at 6" and 24" from tree stem.
2. All tree planting shall use Standard Drawings 601 - 604 unless otherwise specified.
3. Place 3" of mulch in planter pit over soil backfill.
4. Anchor each ring with 3-4 pins.



Rev	By	Date
0	JT	08/09/06
1	JGH	06/02/16
2	RTN	08/11/17
3	BGL	08/18/17

Irrigation:
Drip Loop System for Trees
in Ground Cover, Other Areas

Approved by:

 D. DOCKTER

PE No. ISA-WE: 351

Date 08/30/2017

Scale: NTS

City of Palo Alto Standard

Dwg No. **513A**