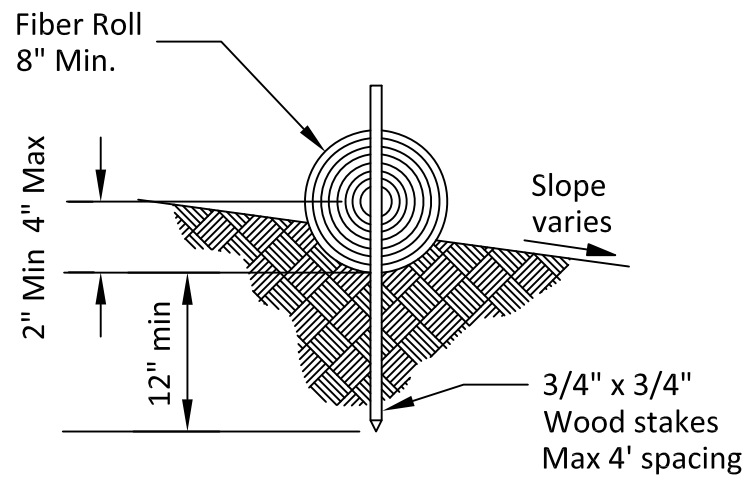


TYPICAL FIBER ROLL INSTALLATION



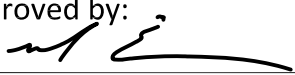
ENTRENCHMENT DETAIL

Rev	By	Date
0	JT	08/24/06

Scale: NTS

Fiber Rolls

City of Palo Alto Standard

Approved by: 

PE No. 72158
Date 01/10/18

Dwg No. 332