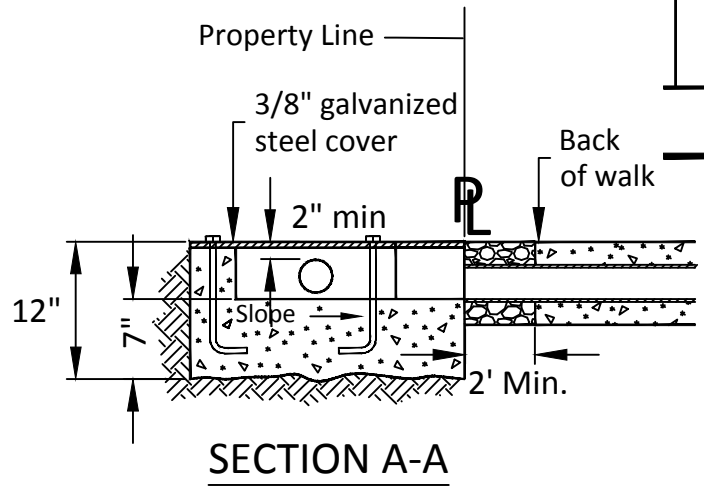
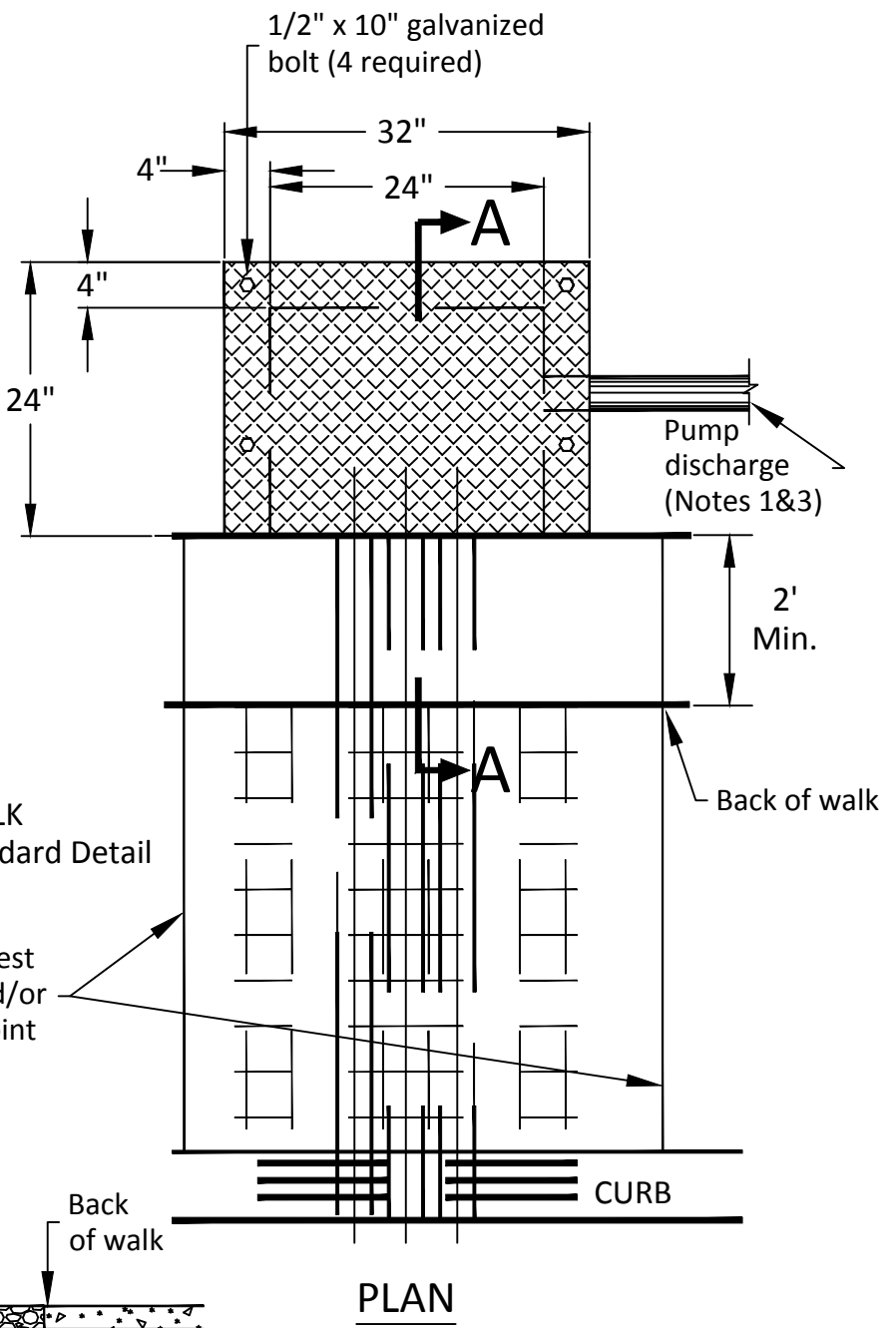


NOTES:

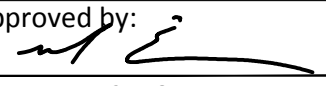
1. Discharge pipe shall enter box parallel to sidewalk.
2. 3" dia max pipe size. Multiple pipes may be used to meet capacity requirements.
3. P.V.C., C.I., or Steel pipe allowed to box. Only C.I. pipe allowed from back of walk to face of curb.
4. See Standard Detail No. 321 for sidewalk and curb outlet.
5. Box must be located within the property line or 2 feet min. from back of walk.



Rev	By	Date
0	DWH	12/14/92
1	HQN	10/04/06
2	RTN	12/23/15
Scale: NTS		

**Curb Outlet
for Pump Discharge**

City of Palo Alto Standard

Approved by: 

PE No. 72158
Date 01/10/18
Dwg No. 322