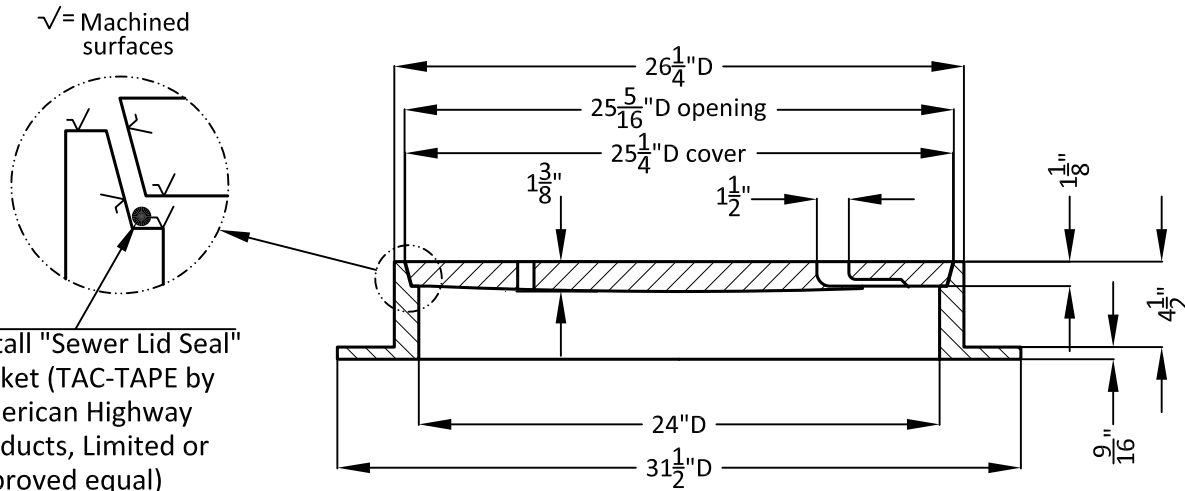


PLAN - FRAME AND COVER



SECTION - FRAME AND COVER

√ = Machined surfaces

Install "Sewer Lid Seal" gasket (TAC-TAPE by American Highway Products, Limited or approved equal) around lip of frame to seal cover and eliminate rattling.

NOTES:

- Cast iron frame and cover shall be City of Palo Alto standard, manufactured by Phoenix Iron Works, P.O. Box 24132, Oakland, CA 94623, phone (510) 465-9900, or approved equal
Frame weight 138 pounds
Cover weight 130 pounds
- Frame and cover matching surfaces to be machines to fit without rocking. Covers shall be interchangeable.
- Casting shall be given a hot asphalt dip.

Rev	By	Date
	DWH	
Scale: NTS		

Manhole Frame
and cover

City of Palo Alto Standard

Approved by:	
PE No.	72158
Date	01/10/18
Dwg No.	311