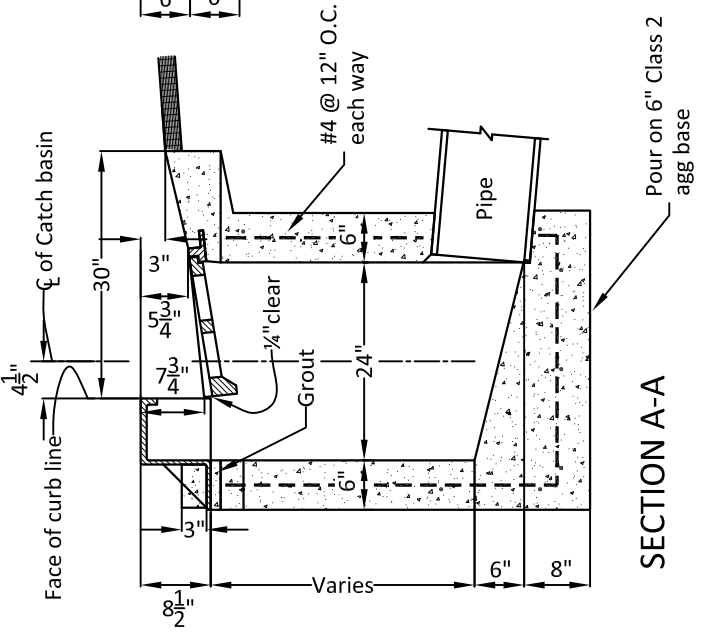
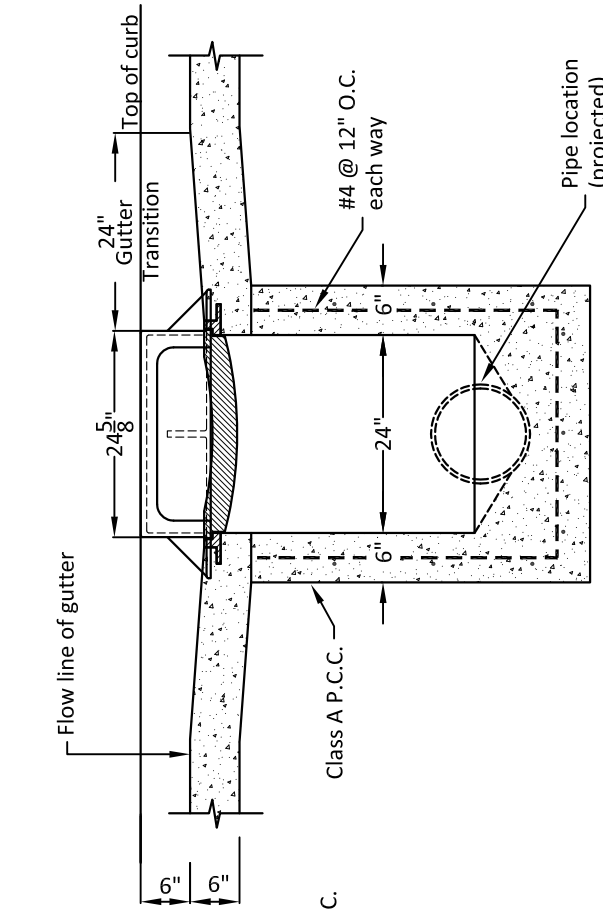
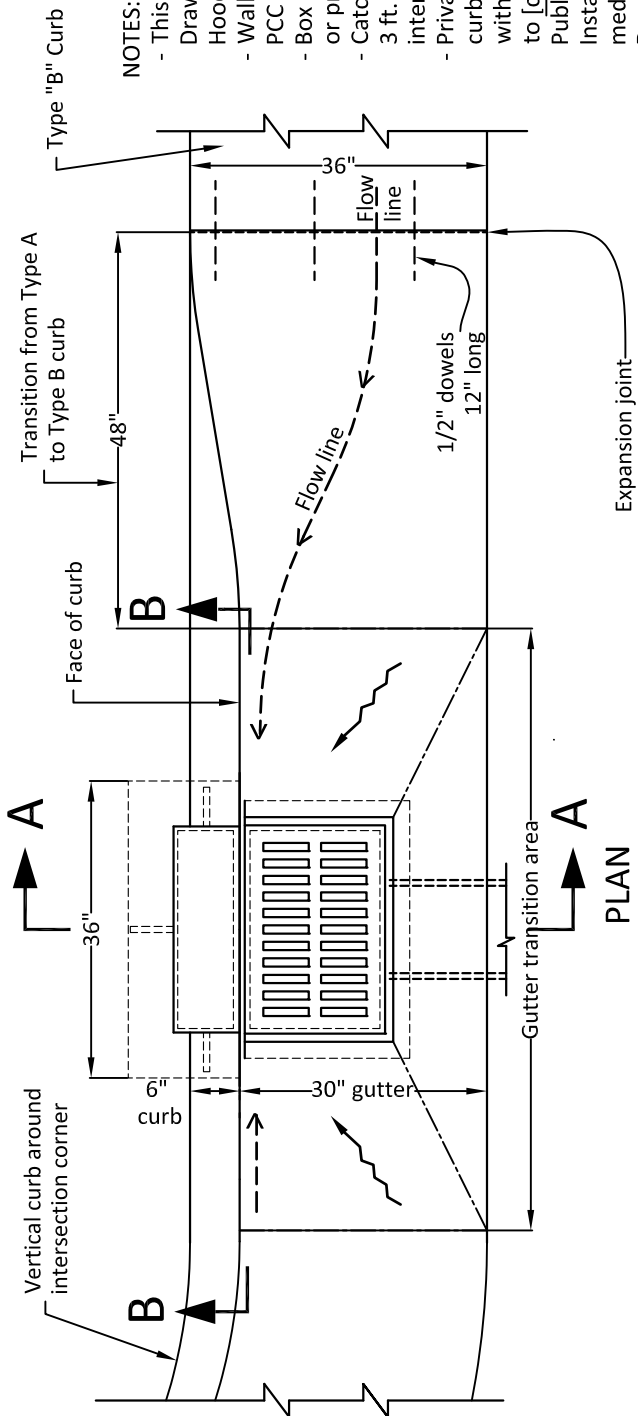


- NOTES:**
- This sheet to be used with Drawing 303, Standard Hood, Frame & Grate.
 - Walls to be 6" reinforced PCC (#4's at 12" O.C. B.W.).
 - Box may be poured in place or pre-cast.
 - Catch basin to be centered 3 ft. from curb return at intersection corners.
 - Private catch basins: Stencil curb adjacent to catch basin with "No Dumping! Flows to [creek-name]" message.
 - Public ROW catch basins: Install stainless steel medallion with "No Dumping" message provided by City.

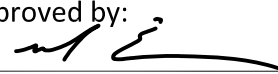


Rev	By	Date
0	PAP	12/14/92
1	MAR	01/02/02
2	JT	08/14/06
3	RTN	06/10/17

Scale: NTS

**Catch Basin Installation
Type B Curb**

City of Palo Alto Standard

Approved by: 

PE No. 72158
Date 01/10/18

Dwg No. 302