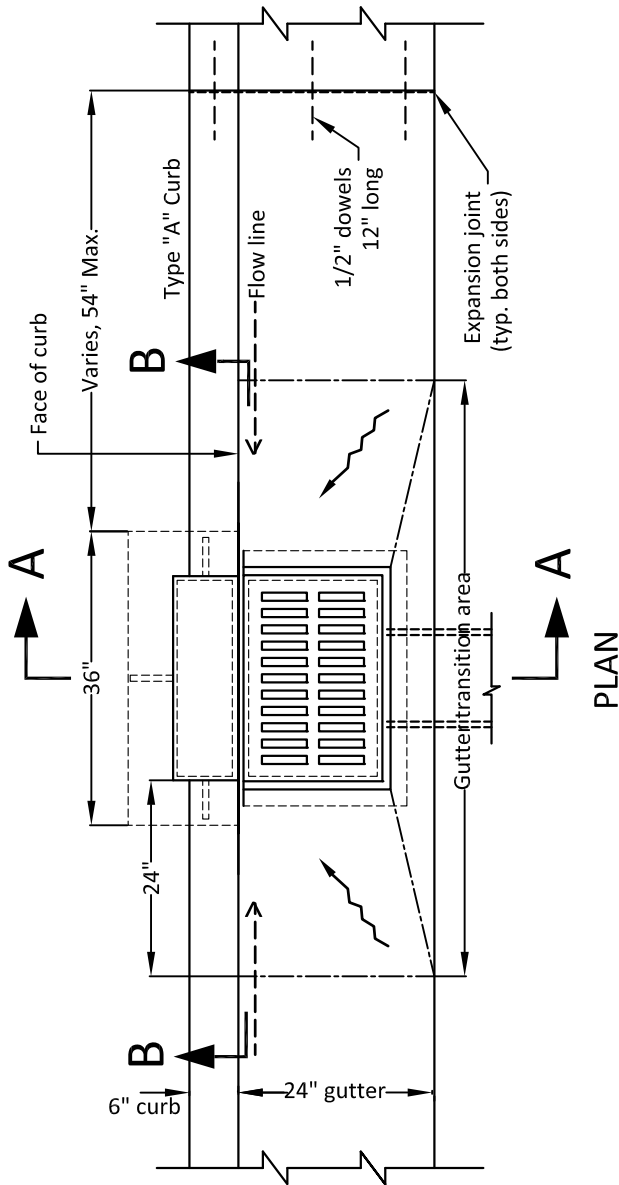
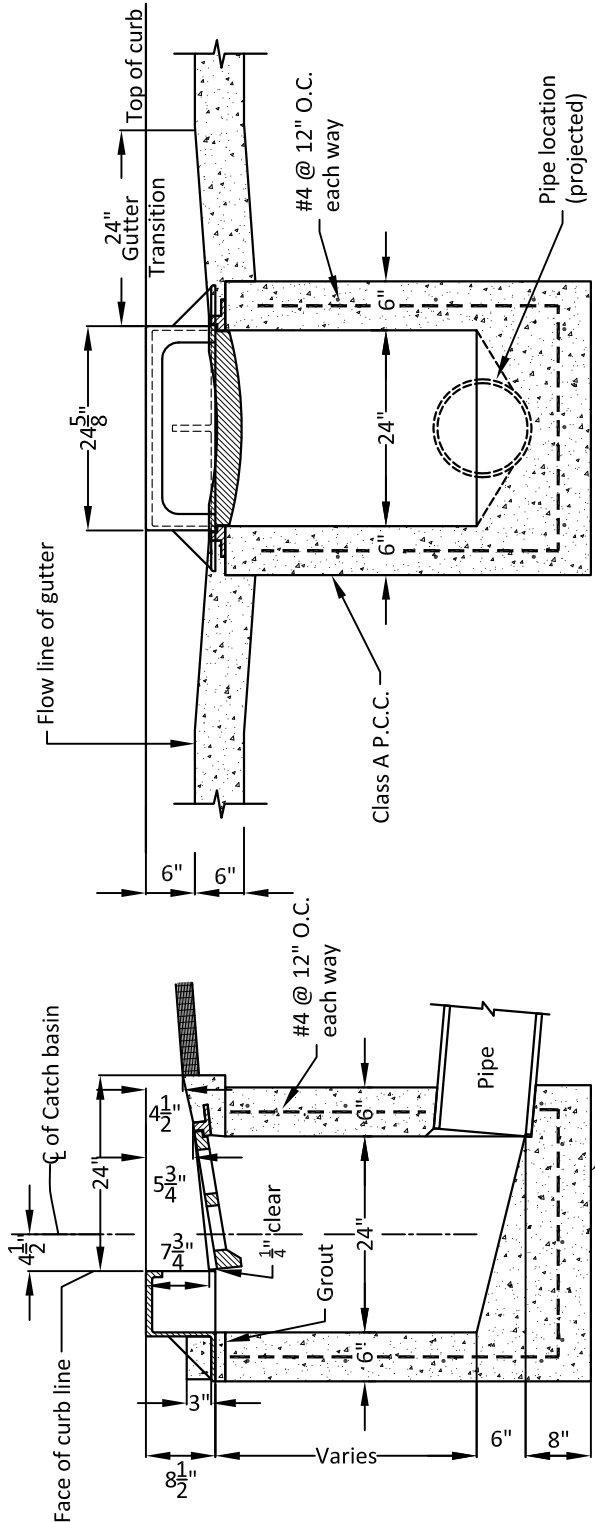


**NOTES:**

- This sheet to be used with Drawing 303, Standard Hood, Frame & Grate.
- Walls to be 6" reinforced PCC (#4's at 12" O.C. B.W.).
- Box may be poured in placed or pre-cast.
- Catch basin to be centered 3 ft. from curb return at intersection corners.
- Private catch basins: Stencil curb adjacent to catch basin with "No Dumping! Flows to [creek-name]" message.
- Public ROW catch basins: Install stainless steel medallion with "No Dumping" message provided by City.



**PLAN**



**SECTION B-B**


**SECTION A-A**

Rev	By	Date
0	PAP	12/14/92
1	MAR	01/02/02
2	RTN	06/10/17

Scale: NTS

**Catch Basin Installation  
Type A Curb**

**City of Palo Alto Standard**

Approved by: 

PE No. 72158  
Date 01/10/18

Dwg No. 301