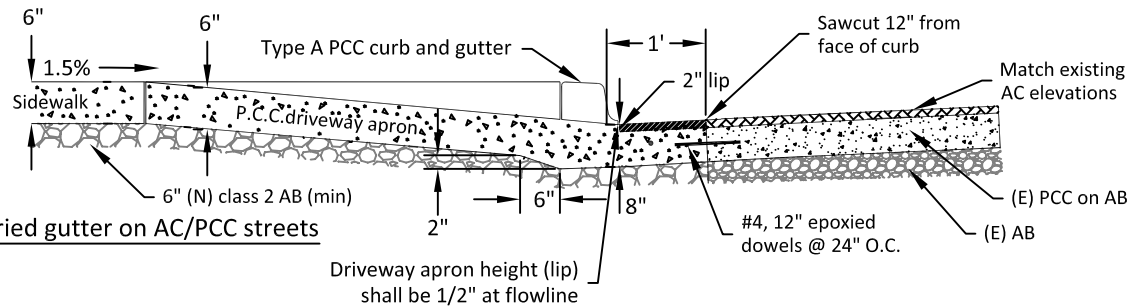
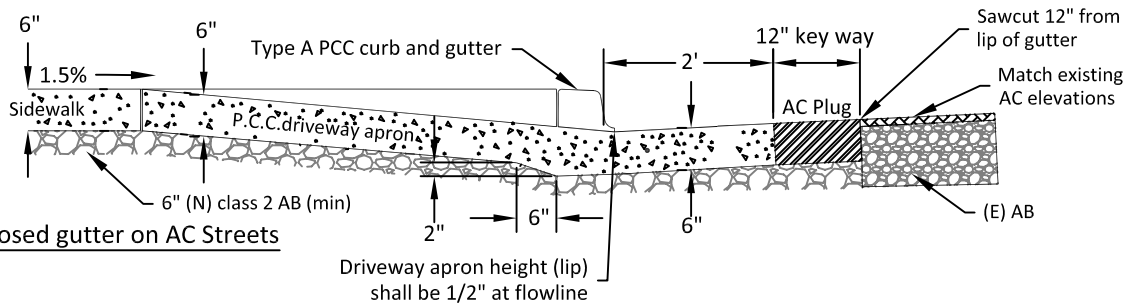


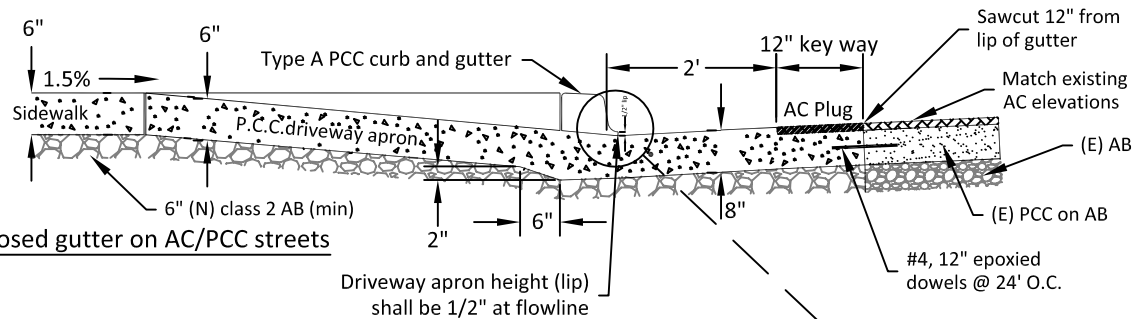
SECTION A-A exposed gutter on PCC streets



SECTION A-A 1' buried gutter on AC/PCC streets



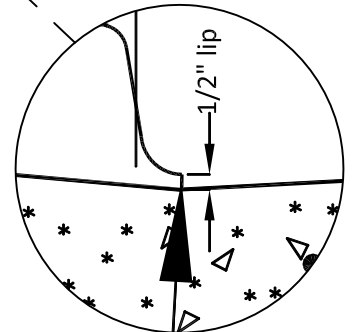
SECTION A-A 2' exposed gutter on AC Streets



SECTION A-A 2' exposed gutter on AC/PCC streets

NOTES:

- Driveway apron height shall be 1/2" at flowline for all driveways.
- Dowel all new concrete into existing concrete at 2' O.C. with #4 12" long dowels epoxyed and embedded 6".
- For new Asphalt Concrete patches, 3/8" hot mix shall be used. Match existing thickness or 2" minimum, whichever is greater.
- All new driveways shall be 6" thick across all sidewalks.
- No saw-cutting along longitudinal score marks on sidewalks.
- On PCC streets, base failures shall be poured monolithically with driveway, curb, and gutter.




Rev	By	Date
0	RTN	01/25/16

Scale: NTS

**Driveway Cross-sections
Type A Curb & Gutter**

City of Palo Alto Standard

Approved by: 

PE No. 72158
Date 01/10/18
Dwg No. 124