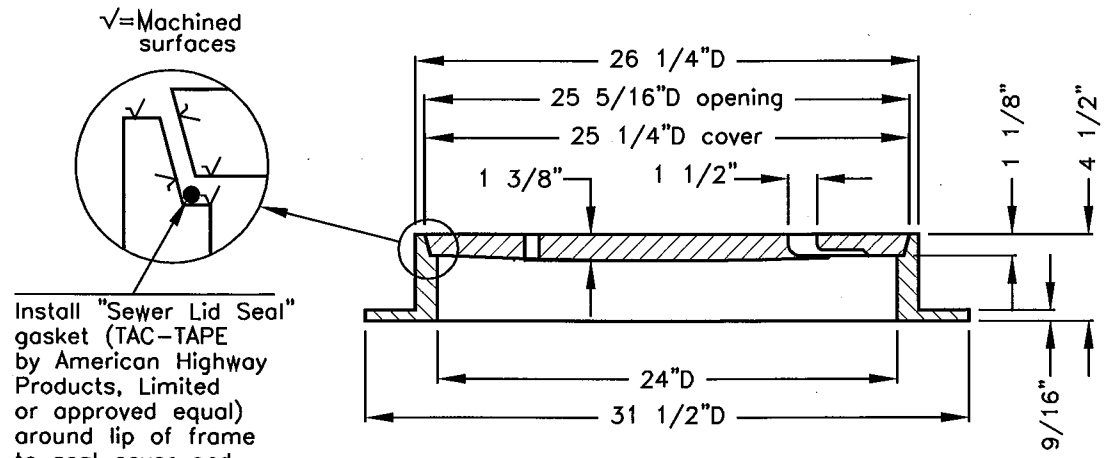


PLAN - FRAME AND COVER



Install "Sewer Lid Seal" gasket (TAC-TAPE by American Highway Products, Limited or approved equal) around lip of frame to seal cover and eliminate lid rattling.

SECTION - FRAME AND COVER

NOTES:

1. Cast iron frame and cover shall be City of Palo Alto standard, manufactured by Phoenix Iron Works, P.O. Box 24132, Oakland CA 94623, phone (510) 465-9900, or approved equal.
Frame weight 138 pounds
Cover weight 130 pounds
2. Frame and cover matching surfaces to be machined to fit without rocking. Covers shall be interchangeable.
3. Casting shall be given a hot asphalt dip.

Rev	By	Date
0	DWH	12/14/92
1	DWH	6/22/95

**Manhole Frame
and Cover**

City of Palo Alto Standard

Approved by: *[Signature]*
 PE No. 35411
 Date 5/14/07
 Dwg No. 311

Scale: NTS